

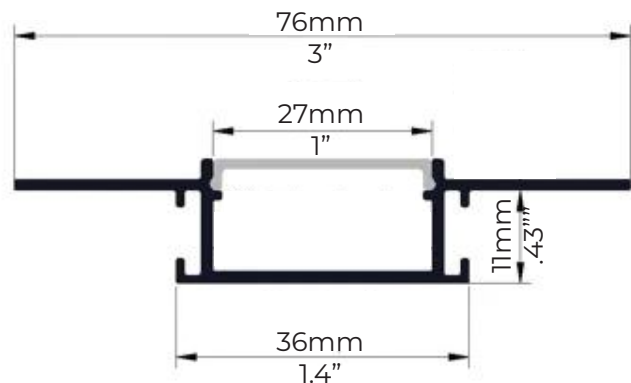

SPECIFICATIONS:

Drywall Profile with Diffuser
 Finish: Matte White Finish w/ White Lens
 Length: 39.37" / 1000mm
 Overall Width with Flange: 3" / 76mm
 Overall Channel Width: 1.4" / 36mm
 Inside Width: 1" / 27mm
 Depth (Behind Flange): 0.43" / 11mm
 Application: Suitable for up to two widths of 12mm LED Ribbon
 Included: 1 x Feed End Cap
 1 x Cover End Cap
 1 x Diffuser Lens
 2 x Connection Bars
 8 x Connection Bar Screws

PRODUCT BENEFITS:

Achieve a sleek, modern look with our Drywall Channel, the perfect solution for integrating LED strip lighting into drywall. The mud-in design provides a smooth, built-in finish with no visible brackets, ensuring a professional appearance. Made from high-quality aluminum, the channel offers durability and securely holds LED strips in place. It can be cut to length on-site for a custom fit. The diffuser lens snaps in from the top effectively minimizing visible LED dots for a smooth, uniform glow. The Drywall Channel also accommodates two widths of 12mm LED ribbon, offering flexibility for various lighting designs. This channel is the smart and stylish choice for your LED lighting project.

Channel only. LED ribbon and driver sold separately. The driver must be remotely located.

PRODUCT DIMENSIONS:




DRYWALL CHANNEL
PART NUMBER: GL-DW01-WH-1M

RECOMMENDED COMPATIBLE PRODUCTS:

Suitable for use with all Glimmer Lighting 12V LED Ribbon.

ORDERING INFORMATION

Select Channel:

GL-DW01-____-1M

WH - Matte White Finish with White Lens