

**SPECIFICATIONS:**

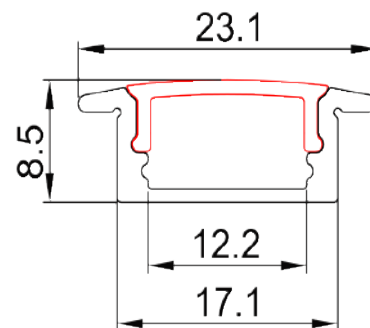
Aluminum Profile with Diffuser
Shallow Recess Channel
Length: 39.37" / 1000mm
Overall Recess Width: 0.67" / 17.1mm
Overall Width w/ Flange: 0.91" / 23.1mm
Inside Width: 0.48" / 12.2mm
Depth: 0.33" / 12.2mm
Application: Suitable for 12mm LED Ribbon
Included: 1 x Feed End Cap
 1 x Cover End Cap
 1 x Diffuser Lens

PRODUCT BENEFITS:

Frosted diffuser (lens) reduces the appearance of LED dots on ribbon in visible areas.

Frosted diffuser (lens) installs for the top of the channel snapping into place making installs easy especially in tight spaces.

Creates a finished seamless look for all your LED ribbon installation applications.

PRODUCT DIMENSIONS:

RECOMMENDED COMPATIBLE PRODUCTS:

Suitable for use with all Glimmer Lighting 12V LED Ribbon.

ORDERING INFORMATION

1. Select Channel Colour:

GL-1204RECS-____-1M

- WH** - Matte White Finish with White Lens
- BK** - Matte Black Finish with Black Lens