**SPECIFICATIONS:**

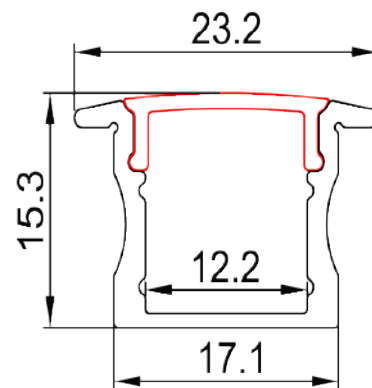
Aluminum Profile with Diffuser  
Deep Recess Channel  
Length: 39.37" / 1000mm  
Overall Recess Width: 0.67" / 17.1mm  
Overall Width w/ Flange: 0.91" / 23.2mm  
Inside Width: 0.48" / 12.2mm  
Depth: 0.60" / 15.3mm  
Included: 1 x Feed End Cap  
          1 x Cover End Cap  
          1 x Diffuser Lens

**PRODUCT BENEFITS:**

Frosted diffuser (lens) reduces the appearance of LED dots on ribbon in visible areas.

Frosted diffuser (lens) installs for the top of the channel snapping into place making installs easy especially in tight spaces.

Creates a finished seamless look for all your LED ribbon installation applications.

**PRODUCT DIMENSIONS:**

**RECOMMENDED COMPATIBLE PRODUCTS:**

---

Suitable for use with all Glimmer Lighting 12V LED Ribbon.

**ORDERING INFORMATION**

---

1. Select Channel Colour:

**GL-1201REC-\_\_\_\_-1M**

- WH** - Matte White Finish with White Lens
- BK** - Matte Black Finish with Black Lens