

Installation Manual

An amplifier is a product that allows more LED ribbon to be added to project while using a single controller. (It is compatible with Glimmer Lighting LED controller: GL-RFCONT--RGBW-12V).

I. Specifications:

Working Temperature: -20° to 60°c

Input/output Voltage: DC12~24V

Dimensions: L160*W46*H25* mm (L6-1/4*W1-3/4*H1* in)

Net weight: 100g

Output: RGBW

Max. Load Current: 6Amps per channel - 4 channel

Ex: 12 volts 72 watts/channel (x4) Maximum

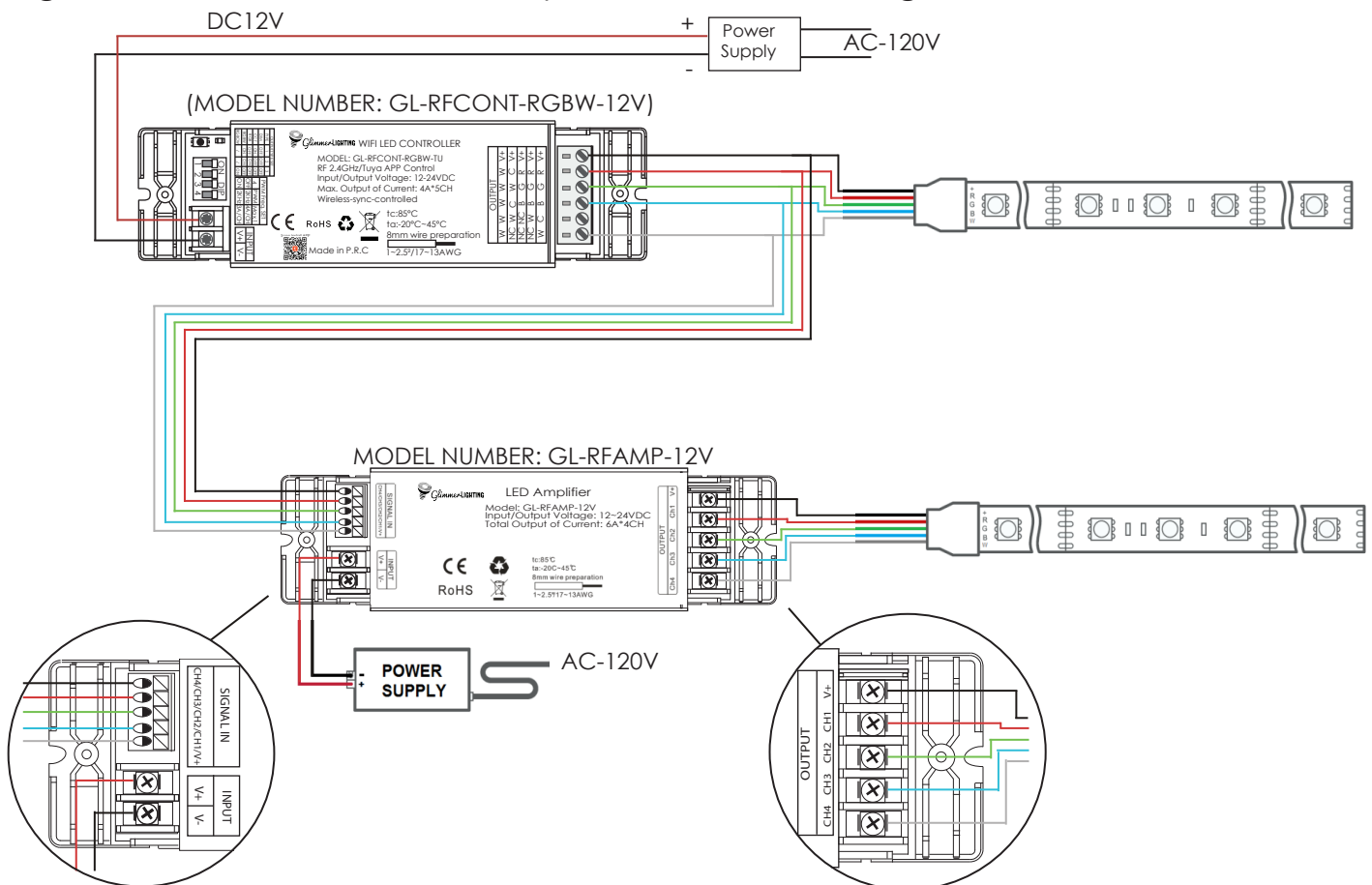
II. Function

It receives a control signal from the LED controller and sends the signal to the LED ribbon. This is used to expand the power and control to additional LED ribbon with one controller.

III. Connection Diagram

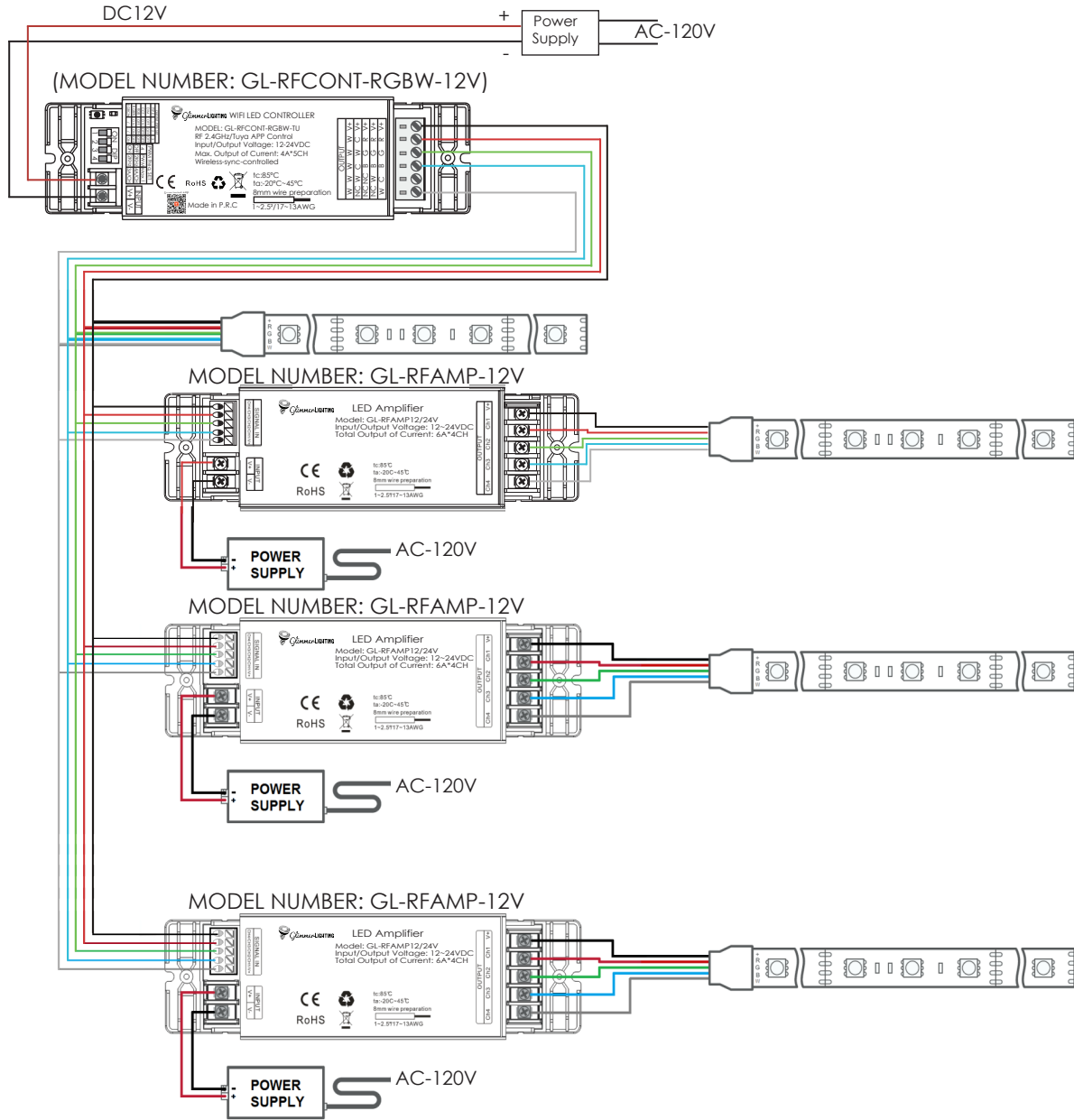
Application Circuit 1

Single Colour Controller with Amplifier Connection Diagram:



Application Circuit 2

Extended Runs Connection Diagram - Multiple Amplifier with Colour Controller



IV. Warning:

1. Supply voltage of this product is DC12~14V
2. Lead wire should be connected correctly according to colours that connecting diagrams shows.

R = Red B= Blue G= Green 12V+ = Black W = White

3. Warranty of this product is one year, this excludes damage, overloading and incorrect wiring.